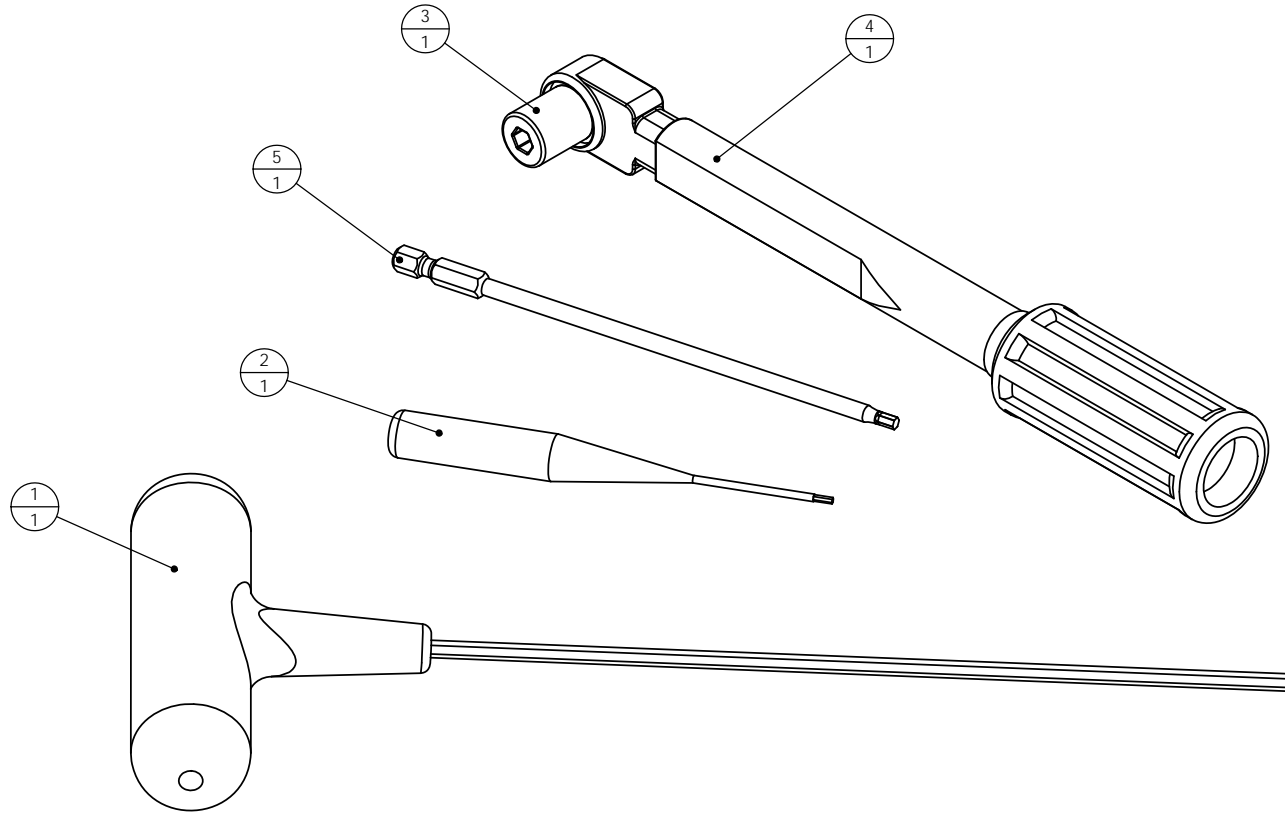




ITEM NO.	QTY	PART NUMBER	DESCRIPTION
1	1	02-10-0028	3MM T-HANDLE WRENCH, 9" BLADE
2	1	02-10-0029	1.5MM MICRO DRIVER, 2" BLADE
3	1	02-10-0030	1/4" X 1/4" SOCKET ADAPTER
4	1	02-10-0031	1/4" DRIVE TORQUE WRENCH 10-50 IN-LBS
5	1	02-10-0374	3MM CUSTOM TORQUE TOOL



- NOTES:
- DRAWINGS FOR SPECIFICATION PURPOSES AND ARE FOR REFERENCE ONLY.
 - ALL VERSIONS OF THE DRAWING ARE SUPERSEDED BY THIS RELEASE AND SUBJECT TO CHANGE WITHOUT NOTICE.

EFFECTIVE DATE: 2/6/2017	 INNOVATION WITH PRECISION 1003 INDUSTRIAL DRIVE SAUK RAPIDS, MN 56379 VOICE: 320-251-0390 FAX: 320-251-5810
INTERPRET DRAWING PER: ASME Y14.5 - 2009	
THIRD ANGLE PROJECTION: 	
PROPRIETARY AND CONFIDENTIAL THE INFORMATION CONTAINED IN THIS DRAWING IS THE SOLE PROPERTY OF TALON INNOVATIONS, INC. ANY REPRODUCTION IN PART OR AS A WHOLE WITHOUT THE WRITTEN PERMISSION OF TALON INNOVATIONS, INC. IS PROHIBITED.	DESCRIPTION: 1.125" TMS TOOLING PACKAGE
SIZE: C	PART NUMBER: 03-10-5010
DO NOT SCALE DRAWING	SCALE: 1:1 SHEET 1 OF 1