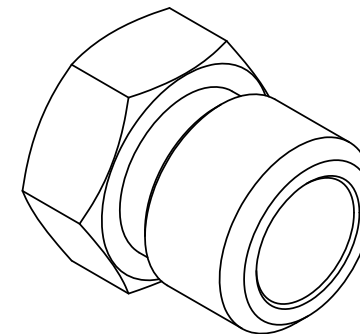


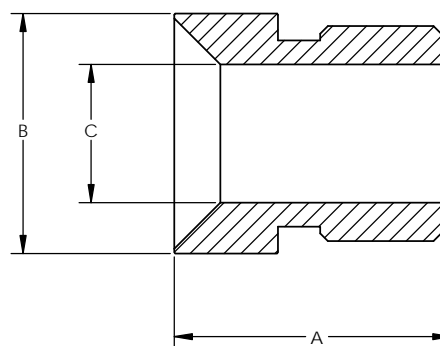
ORDERING NUMBER

5001 - X

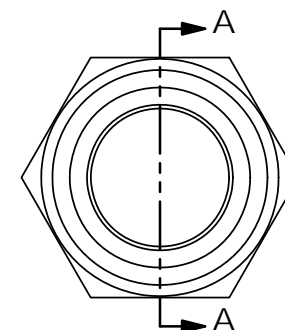
FACE SEAL SIZE





FACE SEAL SIZE	ORDERING NUMBER	DIMENSIONS		
		[A]	[B]	[C]
1/8	5001-2	0.50	3/8	0.21
1/4	5001-4	0.72	5/8	0.36
1/2	5001-8	0.81	15/16	0.61
3/4	5001-12	1.00	1 5/16	0.89



SECTION A-A



- NOTES:
 1. DRAWINGS FOR SPECIFICATION PURPOSES AND ARE FOR REFERENCE ONLY.
 2. ALL VERSIONS OF THE DRAWING ARE SUPERSEDED BY THIS RELEASE AND SUBJECT TO CHANGE WITHOUT NOTIFICATION.

EFFECTIVE DATE: 2/6/2017	 INNOVATION WITH PRECISION 1003 INDUSTRIAL DRIVE SAUK RAPIDS, MN 56379 VOICE: 320-251-0390 FAX: 320-251-5810
INTERPRET DRAWING PER: ASME Y14.5 - 2009	
THIRD ANGLE PROJECTION 	
PROPRIETARY AND CONFIDENTIAL THE INFORMATION CONTAINED IN THIS DRAWING IS THE SOLE PROPERTY OF TALON INNOVATIONS, INC. ANY REPRODUCTION IN PART OR AS A WHOLE WITHOUT THE WRITTEN PERMISSION OF TALON INNOVATIONS, INC. IS PROHIBITED.	DESCRIPTION: MALE NUT
DO NOT SCALE DRAWING	SIZE: C SCALE: 4:1 PART NUMBER: 5001-X SHEET 1 OF 1