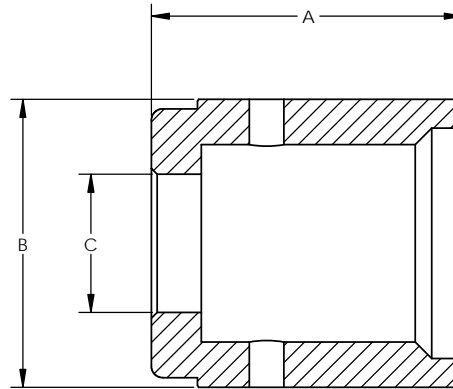


ORDERING NUMBER

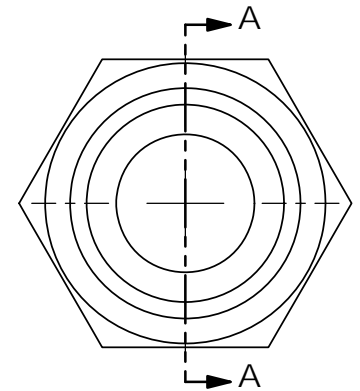
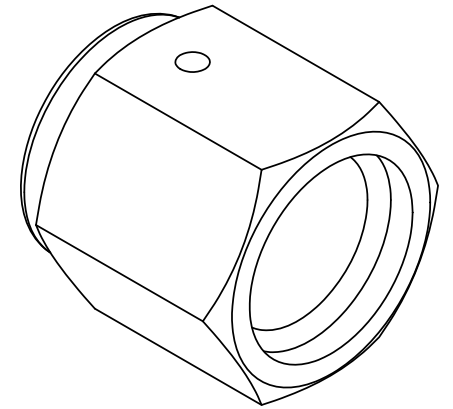
5002 - X

FACE SEAL SIZE



FACE SEAL SIZE	ORDERING NUMBER	DIMENSIONS		
		[A]	[B]	[C]
1/8	5002-2	0.53	7/16	0.21
1/4	5002-4	0.81	3/4	0.36
1/2	5002-8	0.88	1 1/16	0.61
3/4	5002-12	1.12	1 1/2	0.89



SECTION A-A



- NOTES:
 1. DRAWINGS FOR SPECIFICATION PURPOSES AND ARE FOR REFERENCE ONLY.
 2. ALL VERSIONS OF THE DRAWING ARE SUPERSEDED BY THIS RELEASE AND SUBJECT TO CHANGE WITHOUT NOTIFICATION.

EFFECTIVE DATE: 2/6/2017	 1003 INDUSTRIAL DRIVE SAUK RAPIDS, MN 56379 VOICE: 320-251-0390 FAX: 320-251-5810
INTERPRET DRAWING PER: ASME Y14.5-2009	
THIRD ANGLE PROJECTION: 	
PROPRIETARY AND CONFIDENTIAL THE INFORMATION CONTAINED IN THIS DRAWING IS THE SOLE PROPERTY OF TALON INNOVATIONS, INC. ANY REPRODUCTION IN PART OR AS A WHOLE WITHOUT THE WRITTEN PERMISSION OF TALON INNOVATIONS, INC. IS PROHIBITED.	DESCRIPTION: FEMALE NUT
DO NOT SCALE DRAWING	SIZE: C PART NUMBER: 5002-X SCALE: 4:1 SHEET 1 OF 1