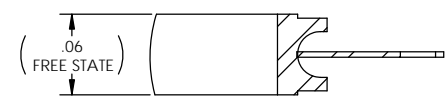
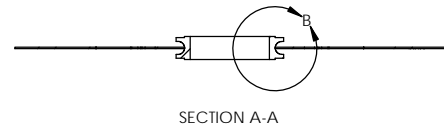
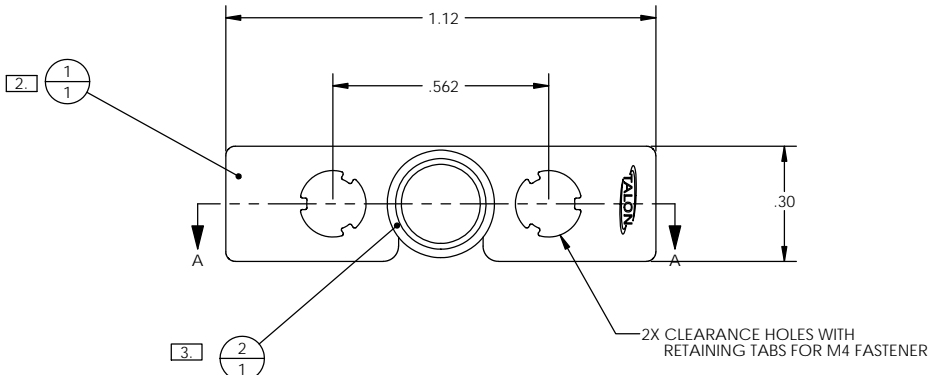
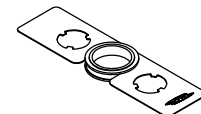




ITEM NO.	QTY.	DESCRIPTION
1	1	TMX RETAINER PLATE
2	1	TMX C-SEAL



DETAIL B  
SCALE 14 : 1

NOTES:  
 1. DRAWINGS FOR SPECIFICATION PURPOSES AND ARE FOR REFERENCE ONLY. ALL VERSIONS OF THE DRAWING ARE SUPERSEDED BY THIS RELEASE.  
 2. MATERIAL: 316L SST.  
 3. MATERIAL: 316L SST, SEMI F20, VIM/VAR.

EFFECTIVE DATE: 2/6/2017		 INNOVATION WITH PRECISION 1003 INDUSTRIAL DRIVE SAUK RAPIDS, MN 56379 VOICE: 320-251-0390 FAX: 320-251-5810
INTERPRET DRAWING PER: ASME Y14.5 - 2009		
THIRD ANGLE PROJECTION 		
PROPRIETARY AND CONFIDENTIAL THE INFORMATION CONTAINED IN THIS DRAWING IS THE SOLE PROPERTY OF TALON INNOVATIONS, INC. ANY REPRODUCTION IN PART OR AS A WHOLE WITHOUT THE WRITTEN PERMISSION OF TALON INNOVATIONS, INC. IS PROHIBITED.		DESCRIPTION: <b>TMX 1.125" C-SEAL ASSY, FLANGE .562H-H</b>
SIZE <b>C</b>	PART NUMBER: <b>TMX-18-06-S</b>	
DO NOT SCALE DRAWING		SCALE: 4:1
		SHEET 1 OF 1