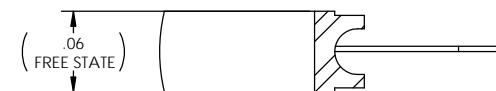
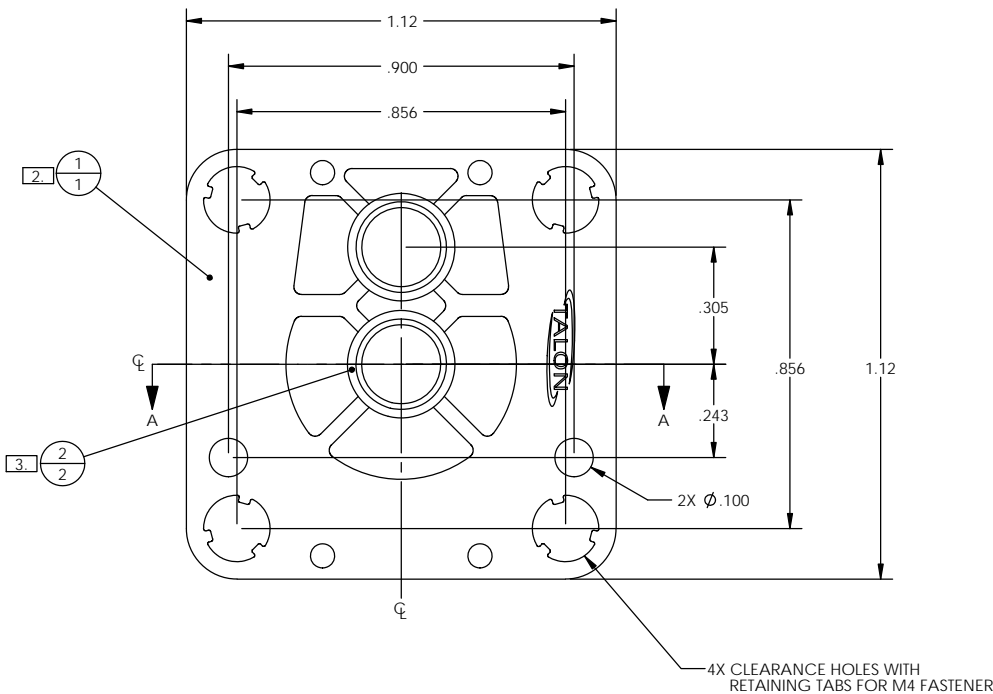
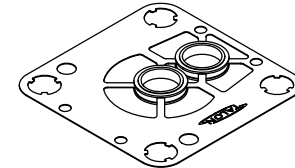
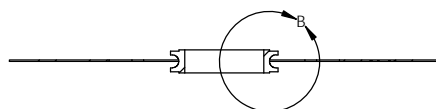


ITEM NO.	QTY.	DESCRIPTION
1	1	TMX RETAINER PLATE
2	2	TMX C-SEAL



DETAIL B
SCALE 14 : 1



SECTION A-A

- NOTES:
1. DRAWINGS FOR SPECIFICATION PURPOSES AND ARE FOR REFERENCE ONLY. ALL VERSIONS OF THE DRAWING ARE SUPERSEDED BY THIS RELEASE.
2. MATERIAL: 316L SST.
3. MATERIAL: 316L SST, SEMI F20, VIM/VAR.

EFFECTIVE DATE: 2/6/2017	 1003 INDUSTRIAL DRIVE SAUK RAPIDS, MN 56379 VOICE: 320-251-0390 FAX: 320-251-5810				
INTERPRET DRAWING PER: ASME Y14.5-2009					
THIRD ANGLE PROJECTION:					
PROPRIETARY AND CONFIDENTIAL THE INFORMATION CONTAINED IN THIS DRAWING IS THE SOLE PROPERTY OF TALON INNOVATIONS, INC. ANY REPRODUCTION IN PART OR AS A WHOLE WITHOUT THE WRITTEN PERMISSION OF TALON INNOVATIONS, INC. IS PROHIBITED.	DESCRIPTION: TMX 1.125" C-SEAL ASSY 2-PORT PY-CO				
DO NOT SCALE DRAWING	<table border="1"> <tr> <td>SIZE C</td> <td>PART NUMBER: TMX-18-10-S</td> </tr> <tr> <td>SCALE: 4:1</td> <td>SHEET 1 OF 1</td> </tr> </table>	SIZE C	PART NUMBER: TMX-18-10-S	SCALE: 4:1	SHEET 1 OF 1
SIZE C	PART NUMBER: TMX-18-10-S				
SCALE: 4:1	SHEET 1 OF 1				