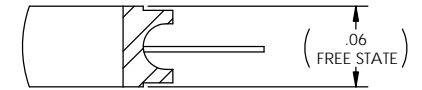
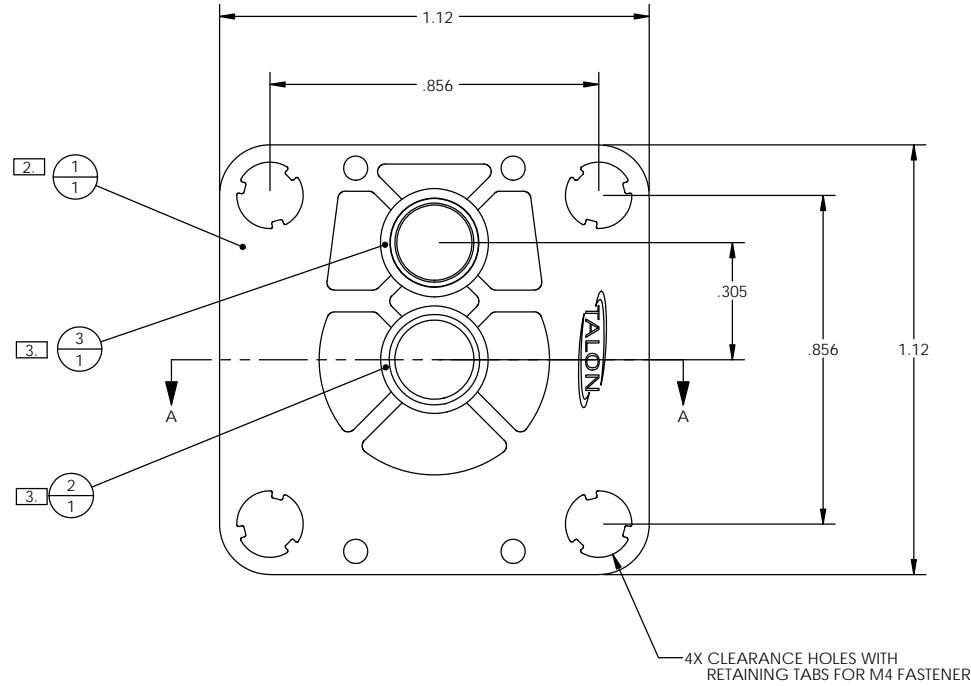
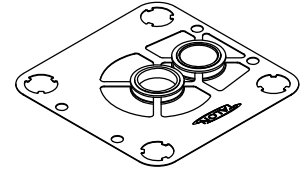
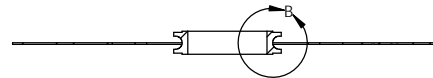


ITEM NO.	QTY.	DESCRIPTION
1	1	TMX RETAINER PLATE
2	1	TMX C-SEAL
3	1	TMX C-SEAL, BLIND



DETAIL B  
SCALE 14 : 1



SECTION A-A

- NOTES:
- DRAWINGS FOR SPECIFICATION PURPOSES AND ARE FOR REFERENCE ONLY. ALL VERSIONS OF THE DRAWING ARE SUPERSEDED BY THIS RELEASE.
  - MATERIAL: 316L SST.
  - MATERIAL: 316L SST, SEMI F20, VIM/VAR.

EFFECTIVE DATE: 2/6/2017		 INNOVATION WITH PRECISION	1003 INDUSTRIAL DRIVE SAUK RAPIDS, MN 56379 VOICE: 320-251-0390 FAX: 320-251-5810		
INTERPRET DRAWING PER: ASME Y14.5 - 2009			DESCRIPTION: <b>TMX 1.125" C-SEAL ASSY 2-PORT, SIDE PORT BLIND</b>		
THIRD ANGLE PROJECTION			SIZE: <b>C</b>	PART NUMBER: <b>TMX-18-13-S</b>	
DO NOT SCALE DRAWING		SCALE: 4:1	SHEET 1 OF 1		