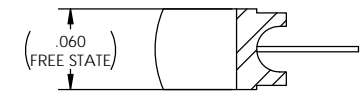
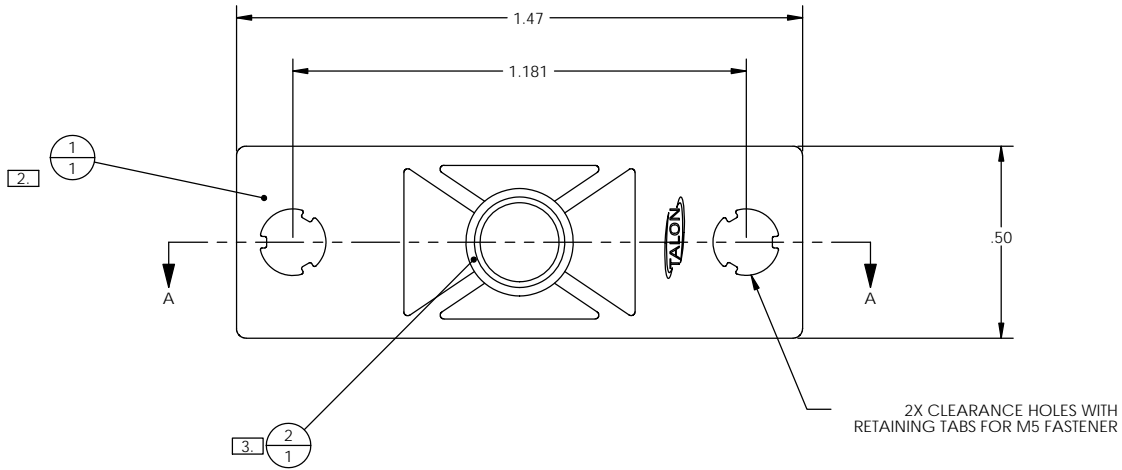
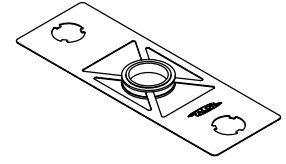
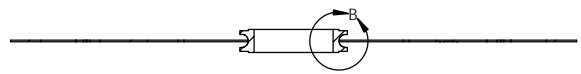


ITEM NO.	QTY.	DESCRIPTION
1	1	TMX 1.5" RETAINER PLATE
2	1	TMX C-SEAL



DETAIL B
SCALE 14 : 1



SECTION A-A

- NOTES:
- DRAWINGS FOR SPECIFICATION PURPOSES AND ARE FOR REFERENCE ONLY. ALL VERSIONS OF THE DRAWING ARE SUPERSEDED BY THIS RELEASE.
 - MATERIAL: 316L SST.
 - MATERIAL: 316L SST, SEMI F20, VIM/VAR.

EFFECTIVE DATE: 2/6/2017	<p>1003 INDUSTRIAL DRIVE SAUK RAPIDS, MN 56379 VOICE: 320-251-0390 FAX: 320-251-5810</p>
INTERPRET DRAWING PER: ASME Y14.5-2009	
THIRD ANGLE PROJECTION	
PROPRIETARY AND CONFIDENTIAL THE INFORMATION CONTAINED IN THIS DRAWING IS THE SOLE PROPERTY OF TALON INNOVATIONS, INC. ANY REPRODUCTION IN PART OR AS A WHOLE WITHOUT THE WRITTEN PERMISSION OF TALON INNOVATIONS, INC. IS PROHIBITED.	DESCRIPTION: TMX 1.5" C-SEAL ASSY MFC
DO NOT SCALE DRAWING	SIZE: C SCALE: 4:1 SHEET 1 OF 1