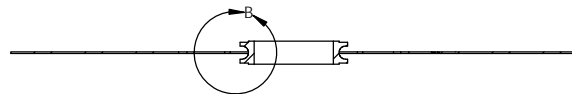
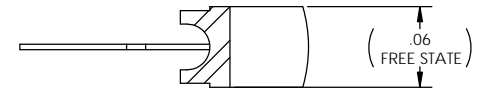
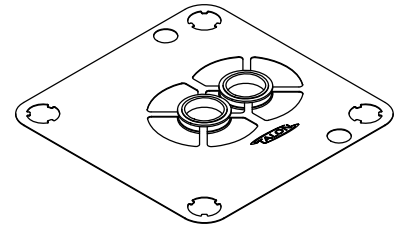
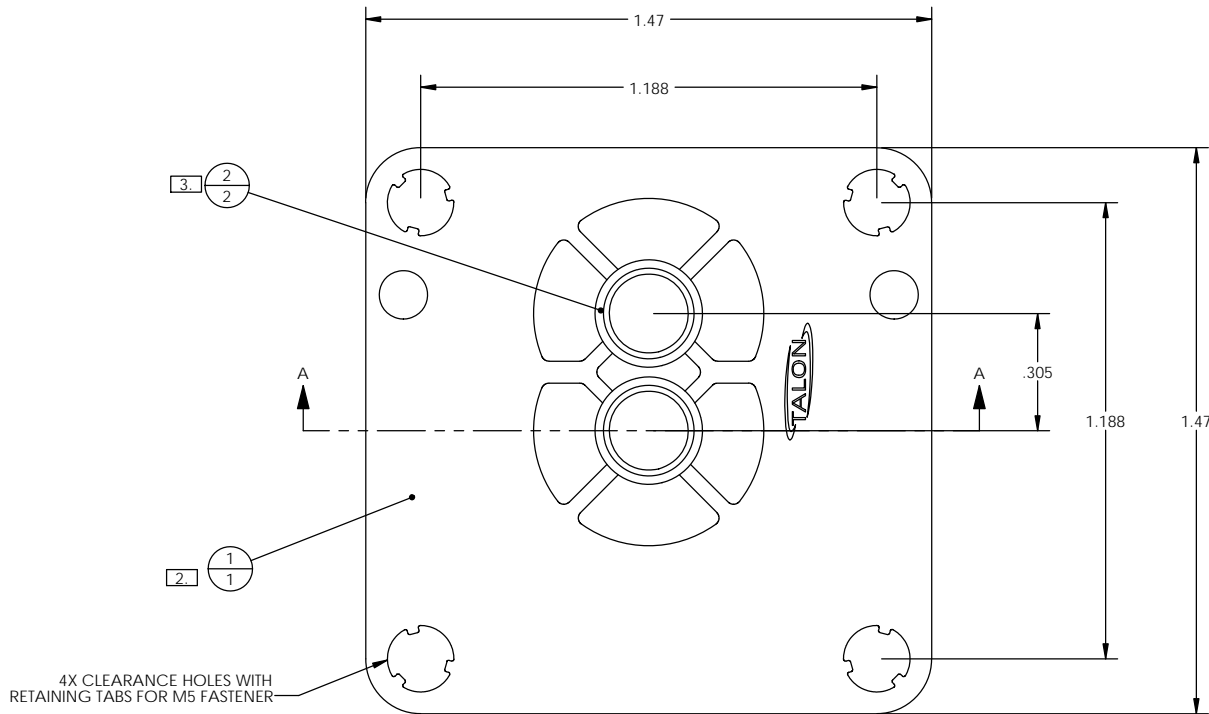


ITEM NO.	QTY.	DESCRIPTION
1	1	TMX 1.5" RETAINER PLATE
2	2	TMX C-SEAL



- NOTES:
1. DRAWINGS FOR SPECIFICATION PURPOSES AND ARE FOR REFERENCE ONLY. ALL VERSIONS OF THE DRAWING ARE SUPERSEDED BY THIS RELEASE.
 2. MATERIAL: 316L SST.
 3. MATERIAL: 316L SST, SEMI F20, VIM/VAR.

EFFECTIVE DATE: 2/6/2017	 1003 INDUSTRIAL DRIVE SAUK RAPIDS, MN 56379 VOICE: 320-251-0390 FAX: 320-251-5810
INTERPRET DRAWING PER: ASME Y14.5 - 2009	
THIRD ANGLE PROJECTION:	
PROPRIETARY AND CONFIDENTIAL THE INFORMATION CONTAINED IN THIS DRAWING IS THE SOLE PROPERTY OF TALON INNOVATIONS, INC. ANY REPRODUCTION IN PART OR AS A WHOLE WITHOUT THE WRITTEN PERMISSION OF TALON INNOVATIONS, INC. IS PROHIBITED.	DESCRIPTION: TMX 1.5" C-SEAL ASSY 2-PORT
SIZE: C	PART NUMBER: TMX-24-02-S
DO NOT SCALE DRAWING	SCALE: 4:1 SHEET 1 OF 1