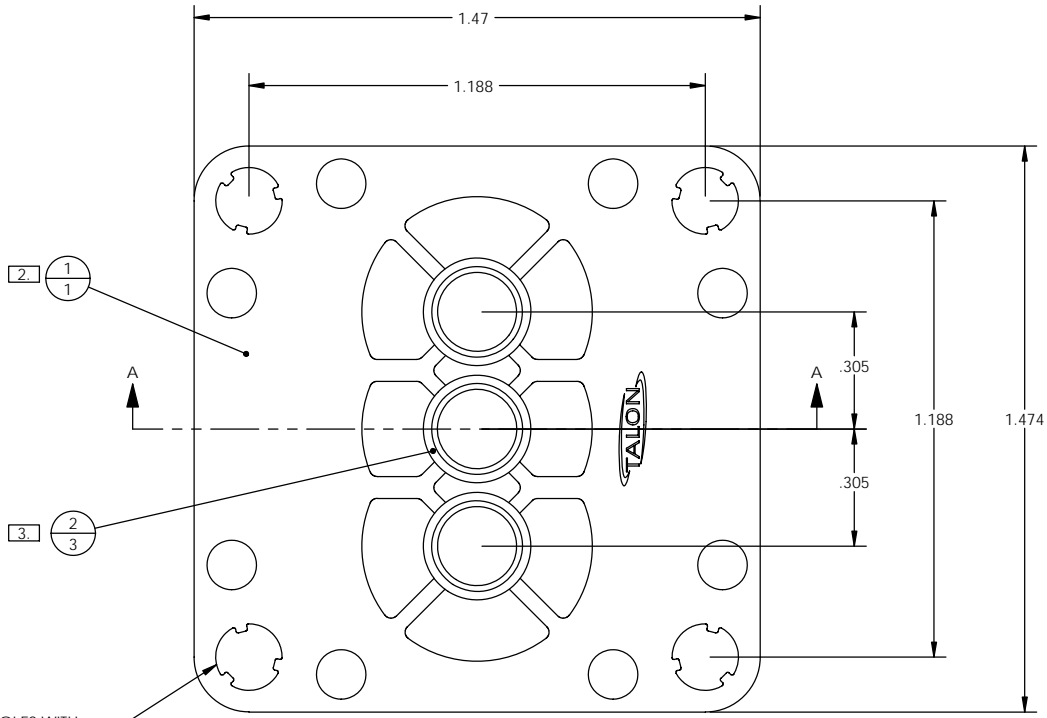
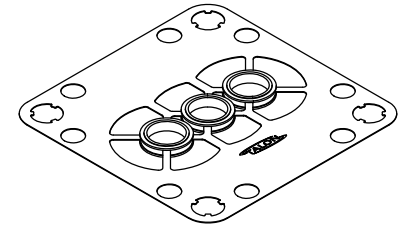
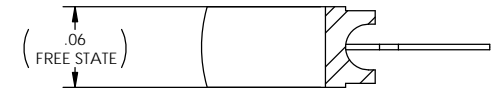


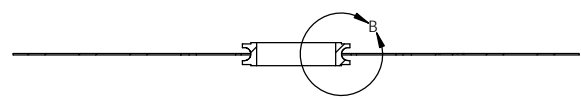
ITEM NO.	QTY.	DESCRIPTION
1	1	TMX 1.5" RETAINER PLATE
2	3	TMX C-SEAL



4X CLEARANCE HOLES WITH RETAINING TABS FOR M5 FASTENER



DETAIL B
SCALE 14 : 1



SECTION A-A

- NOTES:
- DRAWINGS FOR SPECIFICATION PURPOSES AND ARE FOR REFERENCE ONLY. ALL VERSIONS OF THE DRAWING ARE SUPERSEDED BY THIS RELEASE.
 - MATERIAL: 316L SST.
 - MATERIAL: 316L SST, SEMI F20, VIM/VAR.

EFFECTIVE DATE: 2/6/2017		 INNOVATION WITH PRECISION	1003 INDUSTRIAL DRIVE SAUK RAPIDS, MN 56379 VOICE: 320-251-0390 FAX: 320-251-5810	
INTERPRET DRAWING PER: ASME Y14.5-2009			DESCRIPTION: TMX 1.5" C-SEAL ASSY 3-PORT	
THIRD ANGLE PROJECTION			SIZE: C	PART NUMBER: TMX-24-03-S
DO NOT SCALE DRAWING		SCALE: 4:1	SHEET 1 OF 1	