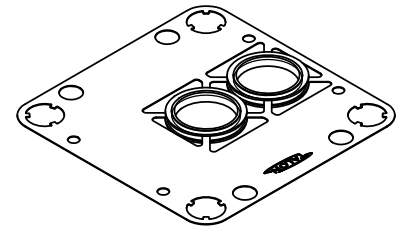
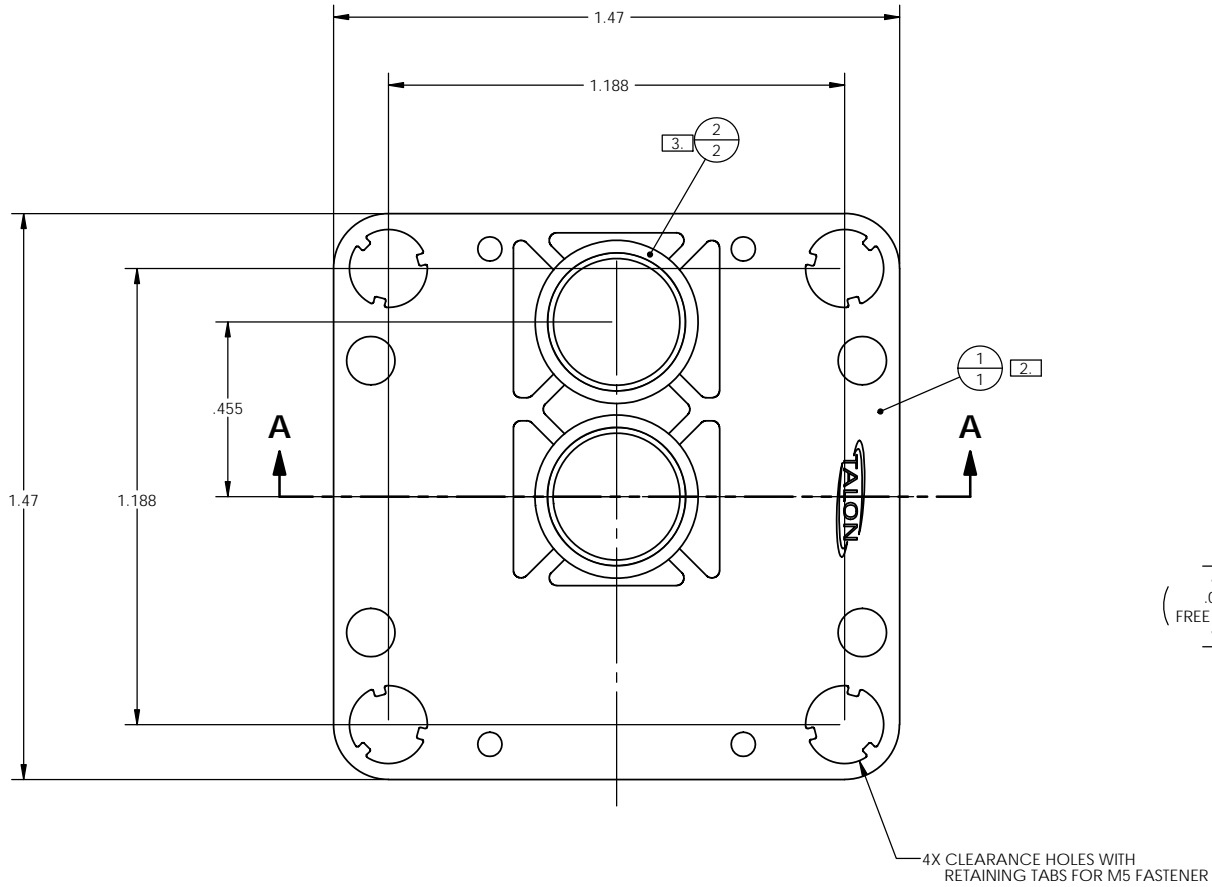
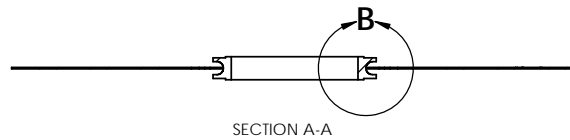


ITEM NO.	QTY.	DESCRIPTION
1	1	TMX 1.5" HF RETAINER PLATE
2	2	TMX HF C-SEAL



DETAIL B  
SCALE 14 : 1



- NOTES:
- DRAWINGS FOR SPECIFICATION PURPOSES AND ARE FOR REFERENCE ONLY. ALL VERSIONS OF THE DRAWING ARE SUPERSEDED BY THIS RELEASE.
  - MATERIAL: 316L SST.
  - MATERIAL: 316L SST, SEMI F20, VIM/VAR.

EFFECTIVE DATE: 2/6/2017	 INNOVATION WITH PRECISION	1003 INDUSTRIAL DRIVE SAUK RAPIDS, MN 56379 VOICE: 320-251-0390 FAX: 320-251-5810
INTERPRET DRAWING PER: ASME Y14.5 - 2009		DESCRIPTION: <b>TMX 1.5" HF C-SEAL ASSY 2-PORT</b>
THIRD ANGLE PROJECTION:		SIZE: <b>C</b> PART NUMBER: <b>TMX-24HF-02-S</b>
PROPRIETARY AND CONFIDENTIAL THE INFORMATION CONTAINED IN THIS DRAWING IS THE SOLE PROPERTY OF TALON INNOVATIONS, INC. ANY REPRODUCTION IN PART OR AS A WHOLE WITHOUT THE WRITTEN PERMISSION OF TALON INNOVATIONS, INC. IS PROHIBITED.	DO NOT SCALE DRAWING	SCALE: 4:1 SHEET 1 OF 1