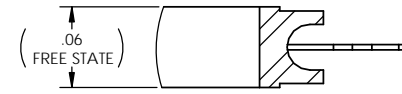
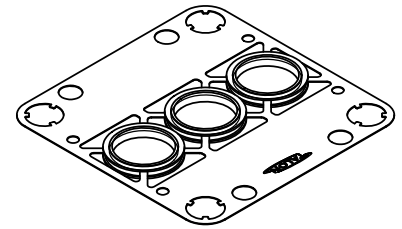
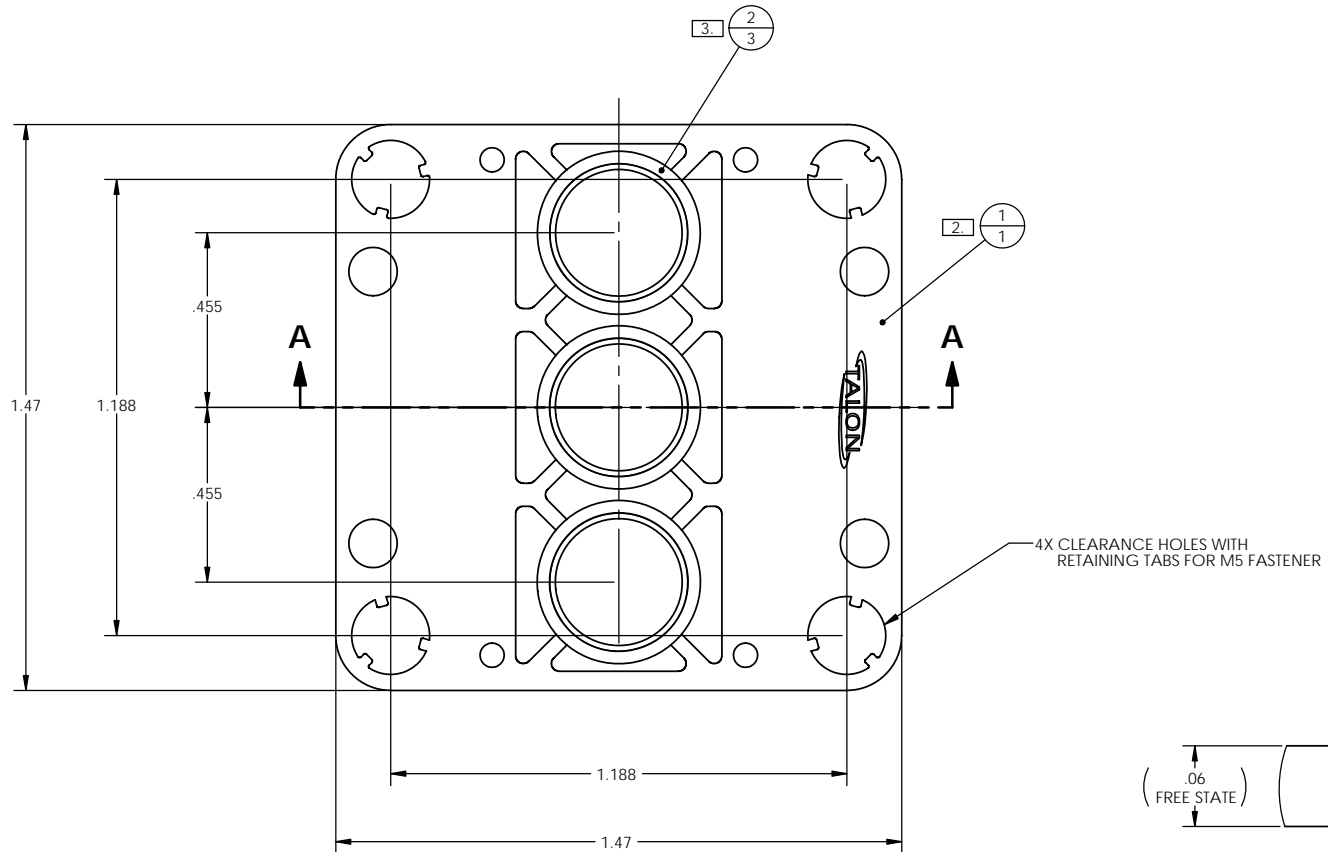
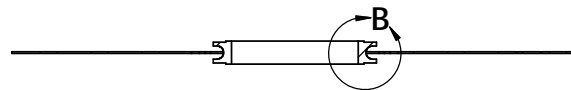


ITEM NO.	QTY.	DESCRIPTION
1	1	TMX 1.5" HF RETAINER PLATE
2	3	TMX HF C-SEAL



DETAIL B
SCALE 14 : 1



SECTION A-A

- NOTES:
- DRAWINGS FOR SPECIFICATION PURPOSES AND ARE FOR REFERENCE ONLY. ALL VERSIONS OF THE DRAWING ARE SUPERSEDED BY THIS RELEASE.
 - MATERIAL: 316L SST.
 - MATERIAL: 316L SST, SEMI F20, VIM/VAR.

EFFECTIVE DATE: 2/6/2017	<p>1003 INDUSTRIAL DRIVE SAUK RAPIDS, MN 56379 VOICE: 320-251-0390 FAX: 320-251-5810</p>				
INTERPRET DRAWING PER: ASME Y14.5 - 2009					
THIRD ANGLE PROJECTION:					
PROPRIETARY AND CONFIDENTIAL THE INFORMATION CONTAINED IN THIS DRAWING IS THE SOLE PROPERTY OF TALON INNOVATIONS, INC. ANY REPRODUCTION IN PART OR AS A WHOLE WITHOUT THE WRITTEN PERMISSION OF TALON INNOVATIONS, INC. IS PROHIBITED.	DESCRIPTION: TMX 1.5" HF C-SEAL ASSY 3-PORT				
DO NOT SCALE DRAWING	<table border="1"> <tr> <td>SIZE C</td> <td>PART NUMBER: TMX-24HF-03-S</td> </tr> <tr> <td>SCALE: 4:1</td> <td>SHEET 1 OF 1</td> </tr> </table>	SIZE C	PART NUMBER: TMX-24HF-03-S	SCALE: 4:1	SHEET 1 OF 1
SIZE C	PART NUMBER: TMX-24HF-03-S				
SCALE: 4:1	SHEET 1 OF 1				