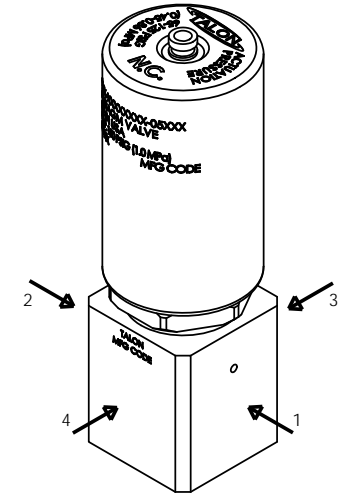
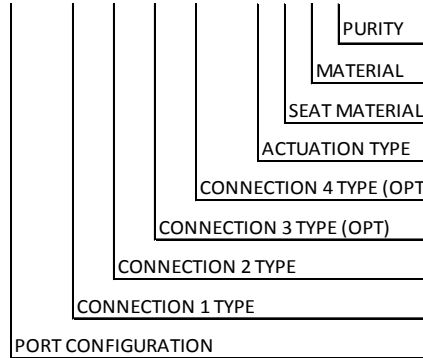


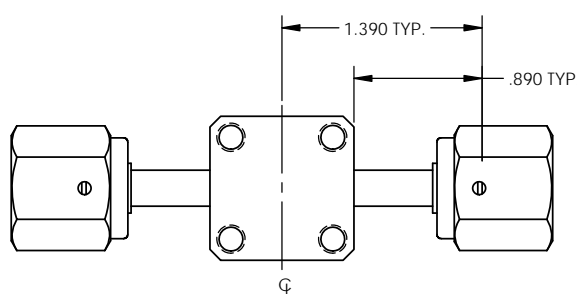
FEMALE FACE SEAL, SWIVEL
A PORT CONFIGURATION

ORDERING NUMBER

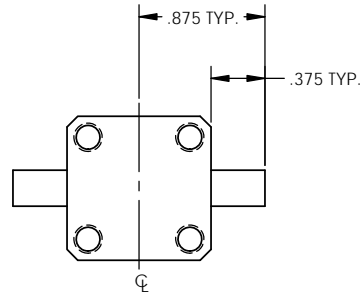
CDV 4 X - XX XX XX XX - 05 X X X



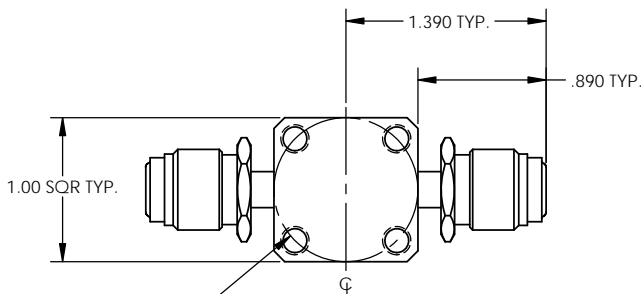
PORT CONFIGURATION
DIAGRAM
ORIENTATION AS SHOWN



FEMALE FACE SEAL, SWIVEL

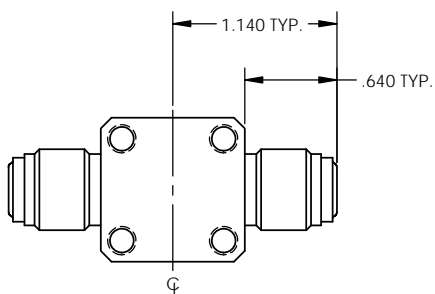


TUBE STUB



4X M5 X 0.8
EQ SPACE
ON Ø1.00

MALE FACE SEAL, SWIVEL



MALE FACE SEAL

PORT CONFIGURATION DESIGNATORS

(INLETS - OUTLETS)

- A = 2-PORT VALVE (1-2)
- B = 2-PORT VALVE (3-1)
- C = 3-PORT VALVE (3-1/2)
- D = 3-PORT VALVE (2-1/3)
- E = 3-PORT VALVE (1-2/3)
- F = 3-PORT VALVE (1/2-3)
- G = 3-PORT VALVE (1/3-2)
- H = 3-PORT VALVE (2/3-1)
- I = 4-PORT VALVE (1/3/4-2)
- J = 4-PORT VALVE (1-2/3/4)
- K = 4-PORT VALVE (1/2-3/4)
- L = 4-PORT VALVE (1/4-2/3)
- M = 2-PORT VALVE (5-1)
- N = 2-PORT VALVE (1-3)

SEAT MATERIAL DESIGNATORS

- K = PCTFE (KEL-F®)
- V = VESPEL®
- P = PEEK™
- F = PFA / ASTM D3307, TYPE II

MATERIAL DESIGNATORS

- S = 316L SST SEMI F20
- A = 316L
- N = NICKEL 200
- M = NICKEL 400
- H = NICKEL ALLOY C22

CONNECTION TYPE DESIGNATORS

- FS = FEMALE FACE SEAL, SWIVEL
- MV = MALE FACE SEAL
- MS = MALE FACE SEAL, SWIVEL
- TS = TUBE STUB

PURITY DESIGNATORS

- S = STANDARD FINISH
- H = HIGH PURITY
- U = ULTRA-HIGH PURITY

NOTES:
 1. DRAWINGS FOR SPECIFICATION PURPOSES AND ARE FOR REFERENCE ONLY.
 2. ALL VERSIONS OF THE DRAWING ARE SUPERSEDED BY THIS RELEASE AND SUBJECT TO CHANGE WITHOUT NOTIFICATION.
 3. FOR M PORT CONFIGURATION, DISTANCE FROM BOTTOM SURFACE IS TYPICAL SHOWN FROM EDGE.

EFFECTIVE DATE: 2/6/2017	<p>1003 INDUSTRIAL DRIVE SAUK RAPIDS, MN 56379 VOICE: 320-251-0390 FAX: 320-251-5810</p>
INTERPRET DRAWING PER: ASME Y14.5 - 2009	
THIRD ANGLE PROJECTION:	
PROPRIETARY AND CONFIDENTIAL THE INFORMATION CONTAINED IN THIS DRAWING IS THE SOLE PROPERTY OF TALON INNOVATIONS, INC. ANY REPRODUCTION IN PART OR AS A WHOLE WITHOUT THE WRITTEN PERMISSION OF TALON INNOVATIONS, INC. IS PROHIBITED.	DESCRIPTION: CONVENTIONAL DIAPHRAGM VALVE 1/4", PNEUMATIC N.C. INT FITTING
DO NOT SCALE DRAWING	SIZE: C PART NUMBER: CDV4X-XXXXXXX-05XXX SCALE: 3:2 SHEET 1 OF 1