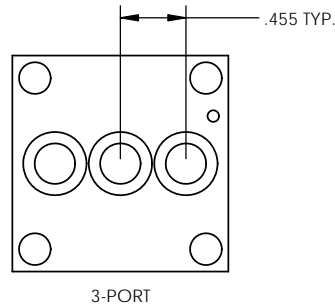
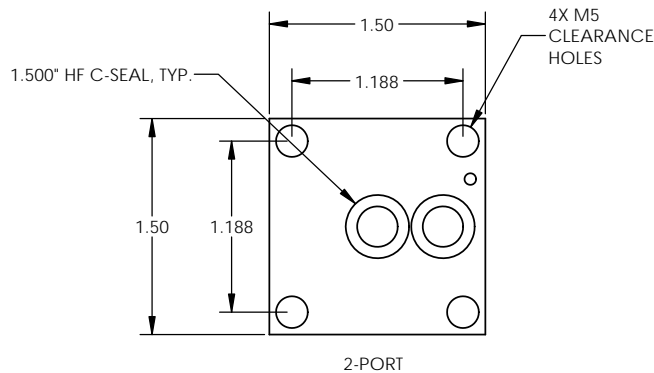
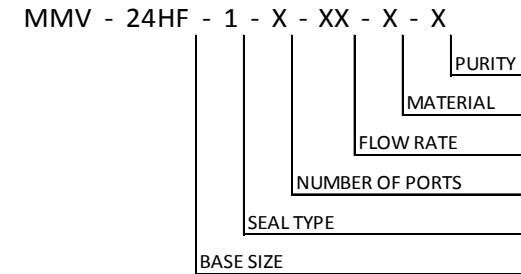


BASE SIZE	SEAL TYPE	NUMBER OF PORTS	ORDERING NUMBER
1.500" HF	C-SEAL	2-PORTS	MMV-24HF-1-2-XX-X-X
		3-PORTS	MMV-24HF-1-3-XX-X-X

### ORDERING NUMBER



### FLOW DESIGNATORS

- LF = LOW FLOW,  
0.025 Cv MAX
- MF = MEDIUM FLOW,  
0.064 Cv MAX
- HF = HIGH FLOW,  
0.13 Cv MAX

### MATERIAL DESIGNATORS

- S = 316L SST SEMI F20
- A = 316L
- B = 316L SST SEMI F20 VIM/VAR
- N = NICKEL 200
- M = NICKEL 400
- H = NICKEL ALLOY C22

### PURITY DESIGNATORS

- S = STANDARD FINISH
- H = HIGH PURITY
- U = ULTRA-HIGH PURITY

- NOTES:
- DRAWINGS FOR SPECIFICATION PURPOSES AND ARE FOR REFERENCE ONLY.
  - ALL VERSIONS OF THE DRAWING ARE SUPERSEDED BY THIS RELEASE AND SUBJECT TO CHANGE WITHOUT NOTIFICATION.

EFFECTIVE DATE: 10/16/2017	 1003 INDUSTRIAL DRIVE SAUK RAPIDS, MN 56379 VOICE: 320-251-0390 FAX: 320-251-5810
INTERPRET DRAWING PER: ASME Y14.5 - 2009	
THIRD ANGLE PROJECTION:	DESCRIPTION: <b>MODULAR METERING VALVE 1.500" HF C-SEAL</b>
PROPRIETARY AND CONFIDENTIAL THE INFORMATION CONTAINED IN THIS DRAWING IS THE SOLE PROPERTY OF TALON INNOVATIONS, INC. ANY REPRODUCTION IN PART OR AS A WHOLE WITHOUT THE WRITTEN PERMISSION OF TALON INNOVATIONS, INC. IS PROHIBITED.	SIZE: <b>C</b> PART NUMBER: <b>MMV-24HF-1-X-XX-X-X</b>
DO NOT SCALE DRAWING	SCALE: 3:2 SHEET 1 OF 1